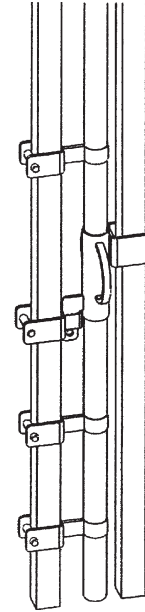


Industrial Drop Rod System

(1-3/8" o.d. pipe is required to complete kit)
Requires 4" clearance

PART #	FRAME SIZE	PRICE
IDR 150	1-1/2"	
IDR 175	1-3/4"	
IDR 200	2"	

Kit includes - 3 guides - 1 locking eye - 1 fork system
Zinc Plated / Powder Coated Black Made in U.S.A.



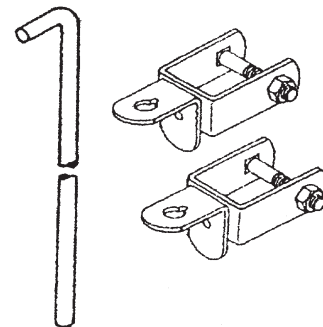
Clamp on mech. cane bolt 1/2" round

PART #	FRAME SIZE	PRICE
COC 100	1"	
COC 150	1-1/2"	
COC 200	2"	

Non-locking 1/2" Ø solid crane bolt 43" long

PART #	FRAME SIZE	PRICE
084190	1"	
084192	1-1/2"	
084193	2"	

Powder Coated Black



800-843-7893

www.SCSFENCE.COM

SAN JOSE
170 North 28th Street
San Jose, California 95116
(408) 295-8556
Fax: (408) 283-1599

SACRAMENTO
5311 Jackson Street
N. Highlands, California 95660
(916) 338-4800
Fax: (916) 338-1012

PORTLAND
12520 N.E. Whitaker Way
Portland, OR 97220
(503) 255-9950
Fax: (503) 254-2895

SEATTLE
9619 8th Avenue South
Seattle, Washington 98108
(206) 767-7383
Fax: (206) 764-7146